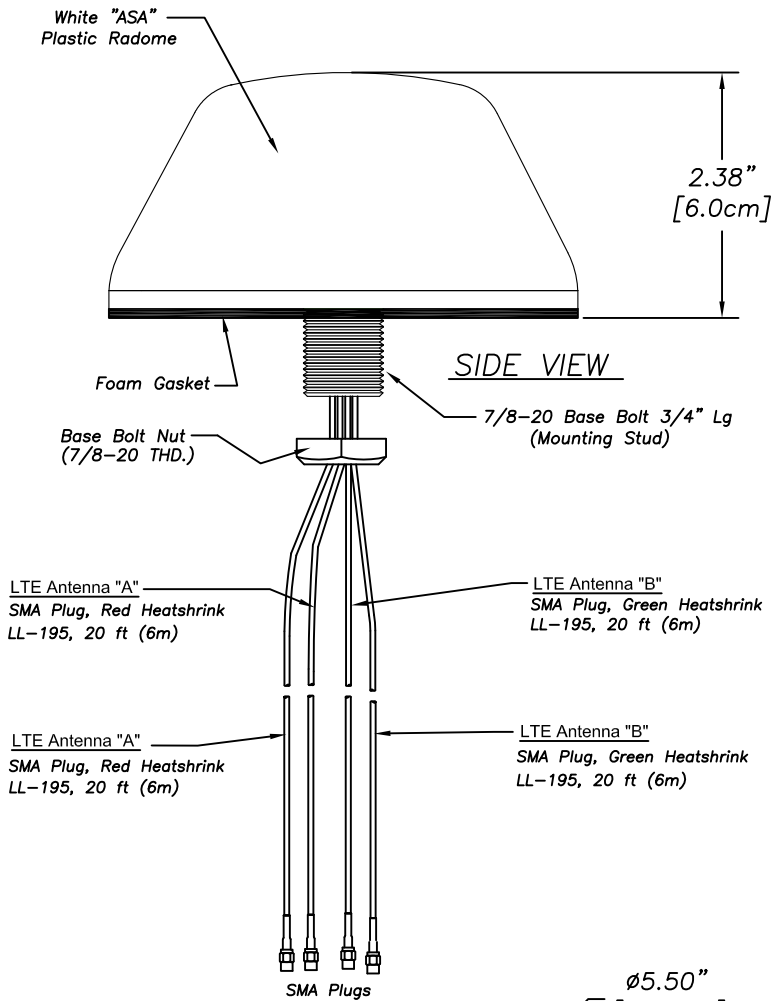


# LTM940-A3CB3C0000-WHT-240-SP-529

## Dual Carrier Multi-Band Mimo Antenna 4 X 694-960 MHz, 1710-3700 MHz (Global LTE) SP-529 indicates No Jumper Cables provided



### Antenna Specifications

- \*\*Frequency/Gain: — LTE 694–960 MHz, 2dBi Peak  
— LTE 1710–3700 MHz, 5dBi Peak
- \*\*VSWR: — < 2.5:1 VSWR over range (with 12" LL-195)
- Maximum Power: — 10 Watts
- Connectors/Interface: — SMA Plugs
- Case: — 5.50" (13.9cm) Dia. x 2.38" (6.0cm) High
- Radome Material: — ASA UV Inhibitive Plastic
- Cable: — LTE Antenna "A" — LL-195, 20 ft. (6m) (694–960/1710–3700 MHz)  
— LTE Antenna "B" — LL-195, 20 ft. (6m) (694–960/1710–3700 MHz)
- Impedance: — 50 OHM Nominal
- Water Ingress: — IP67 (when properly mounted)
- Shock & Vibration: — PENDING
- Mounting: — 7/8" Dia. Feed through.  
— 3/4" lg. thread for up to  
— 1/2" thick surface
- Operating Temperature: — -40° to +80° C

\*\* Gain and VSWR measured with 12" cable on 12" Ground Plane  
\*\*\* To achieve optimal performance it is not recommended that  
LTE Antenna A and B operate on the same band simultaneously

**MobileMark**

antenna solutions

US OFFICE & HEADQUARTERS: 1140 W THORNDALE AVE, ITASCA, IL 60143  
TEL: (847) 671-6690 \* FAX (847) 250-5120

UK OFFICE: 8 MIRAS BUS PARK, KEYS PARK ROAD, HEDNESFORD WS12 2FS, UK  
UK TEL: (+44) 1543-459555 FAX (+44) 1543-459545

VISIT OUR WEBSITE AT WWW.MOBILEMARK.COM

9/11/18