

PSTGO-915SE

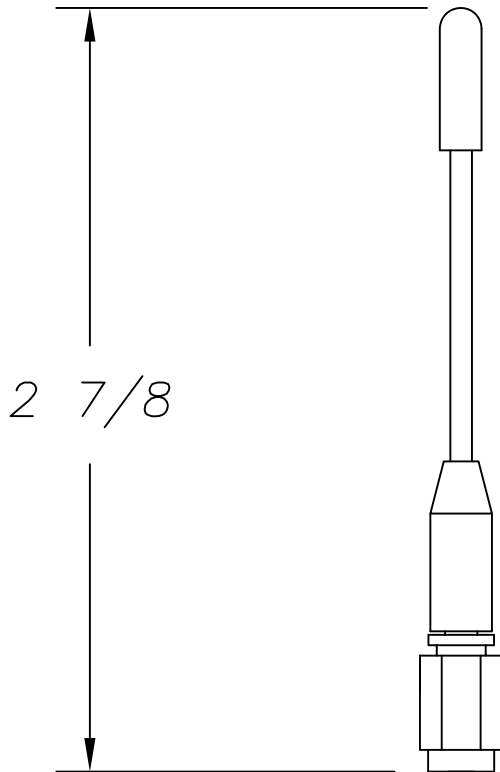
Unity Gain Device Antenna 902-928 MHz

MobileMark
antenna solutions

US OFFICE & HEADQUARTERS: 1140 W THORNDALE AVE, ITASCA, IL 60143
TEL: (847) 671-6690 * FAX (847) 250-5120

UK OFFICE: 8 MIRAS BUS PARK, KEYS PARK ROAD. HEDNESFORD WS12 2FS, UK.
UK TEL: (+44) 1543-459555 FAX (+44) 1543-459545

VISIT OUR WEBSITE AT WWW.MOBILEMARK.COM



Antenna Specifications:

Frequency: _____ 902–928 MHz
Gain: _____ 0 dBi Maximum
VSWR: _____ < 2:1 VSWR across freq. range
Connector/Interface: _____ SMA Plug
Radome Material: _____ Polyurethane
Polorization: _____ Vertical
Impedance: _____ 50 OHM Nominal
Electrical Length: _____ 1/4 wave
Overall Length: _____ 2 7/8" Lg.