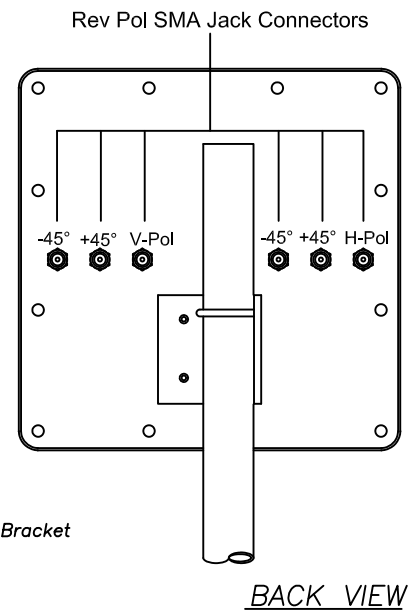
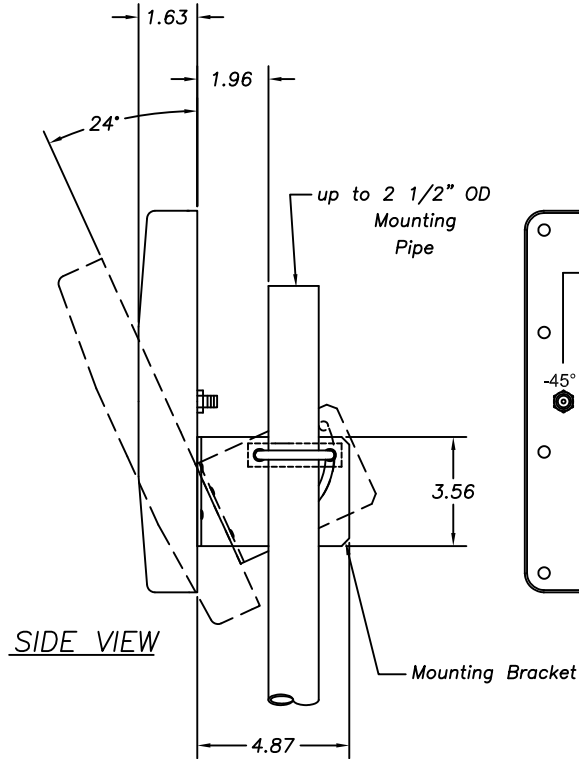
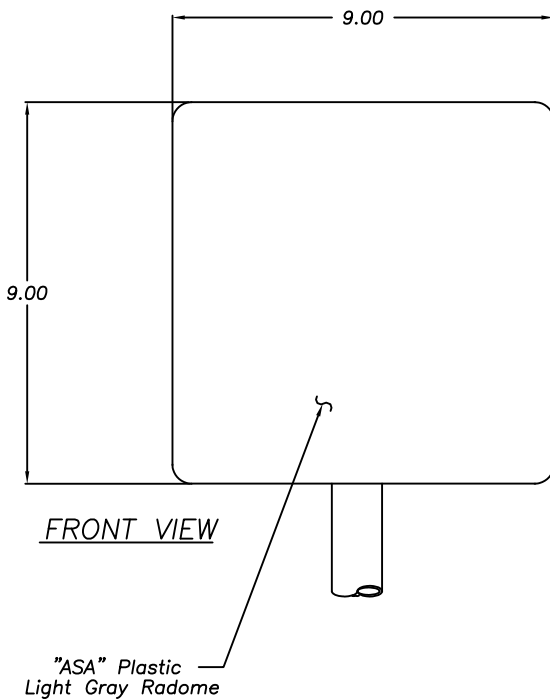


# PND10-W-AC6-GRY

**Quad-Polarization MIMO 6x6, 8/10 dBi  
2.4-2.5/4.9-6.0 GHz, Directional Antenna  
for 802.11ac applications**



## Antenna Specifications:

Frequency/Polarization: — Connector #1: 2.4–2.5/4.9–6.0 GHz, Horizontal  
 — Connector #2: 2.4–2.5/4.9–6.0 GHz, +45° Slant  
 — Connector #3: 2.4–2.5/4.9–6.0 GHz, –45° Slant  
 — Connector #4: 2.4–2.5/4.9–6.0 GHz, Vertical  
 — Connector #5: 2.4–2.5/4.9–6.0 GHz, +45° Slant  
 — Connector #6: 2.4–2.5/4.9–6.0 GHz, –45° Slant

Gain: — 8 dBi, 2.4–2.5 GHz, 104° Azimuth x 63° Elevation  
 — 10 dBi Typ. 4.9–6.0 GHz, 44° Azimuth x 47° Elevation

VSWR: — <2:1

Front to Back Ratio: — 20 dB Minimum

Antenna Isolation: — 23 dB Minimum

Radome Material: — Light Gray "ASA" Plastic

Nominal Impedance: — 50 OHM Nominal

Maximum Power: — 20 Watts

Connector: — 6 x Rev Pol SMA Jacks

Mounting: — Standard Swivel Tilt Mounting

Operating Temperature: — –40°C to +85°C

**MobileMark**  
antenna solutions

US OFFICE & HEADQUARTERS: 1140 W THORNDALE AVE. ITASCA, IL 60143  
 TEL: (847) 671-6690 \* FAX (847) 671-6715

UK OFFICE: 8 MIRAS BUS PARK, KEYS PARK ROAD, HEDNESFORD WS12 2FS, UK.  
 UK TEL: (+44) 1543-459555 FAX (+44) 1543-459545

VISIT OUR WEBSITE AT WWW.MOBILEMARK.COM

4/23/14