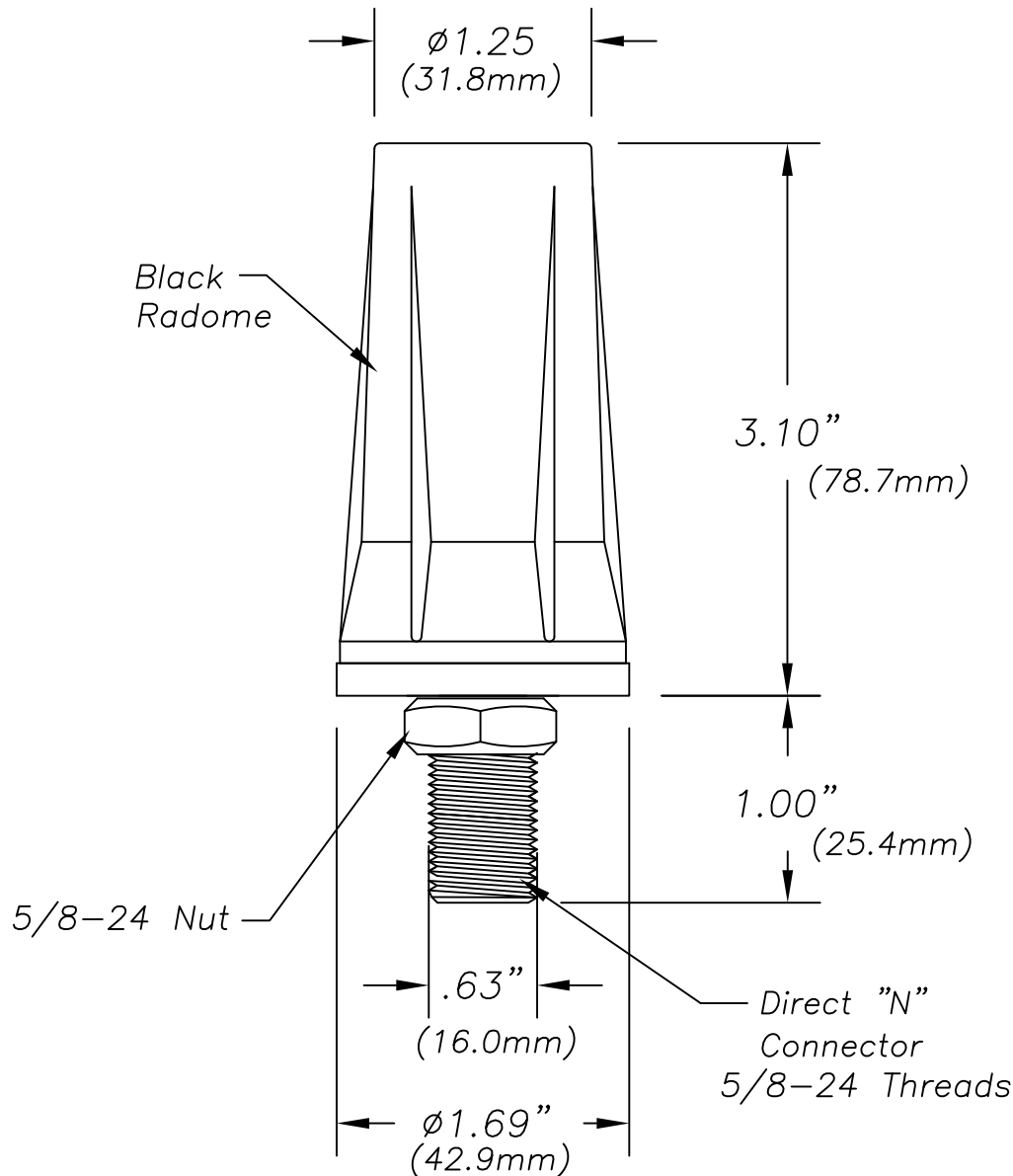


RM-WB1-DN-BLK

**Sub6 Omnidirectional Antenna
Body Mount "Bus" Antenna
with Direct "N" Termination
617-960 MHz & 1700-6000 MHz**



Antenna Specifications:

Frequency:	617-960/1700-6000MHz
Gain:	3 dBi peak
VSWR:	2:1
Radome Material:	Black ABS Plastic
Impedance:	50 Ohm Nominal
Maximum Input Power:	10 Watts
Connector:	Direct "N"
Water Ingress:	IPX7 when properly mounted
Operational Temperature:	-40° to +85°C
Weight:	6.5 oz (184g)
Mounting:	5/8 Dia.(15.8mm) feed thru, 1" lg (25.4mm) thread up to 1/4" (6.35mm) thk.metal

8/7/19

() METRIC DIMENSIONS
IN PARENTHESIS



MobileMark
antenna solutions

US OFFICE & HEADQUARTERS: 1140 W. THORNDALE AVE. ITASCA, IL 60143
TEL: (847) 671-6690 * FAX (847) 250-5120

UK OFFICE: 8 MIRAS BUS PARK, KEYS PARK ROAD. HEDNESFORD WS12 2FS, UK.
UK TEL: (+44) 1543-459555 FAX (+44) 1543-459545

VISIT OUR WEBSITE AT WWW.MOBILEMARK.COM