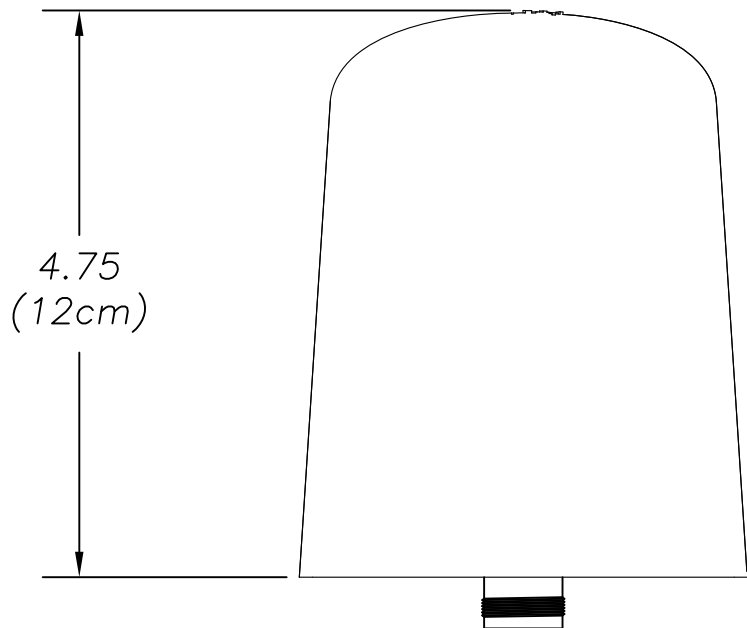


TMA-WB1

Wideband Antenna

420 MHz to 6 GHz

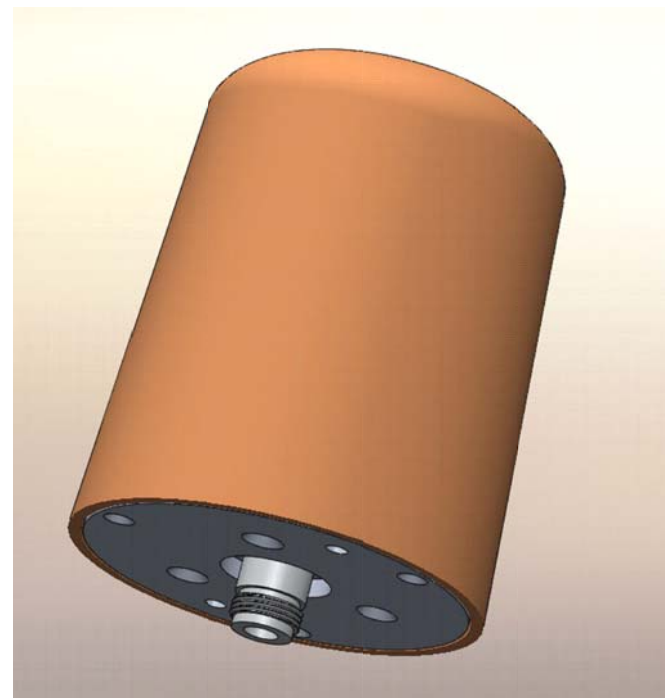
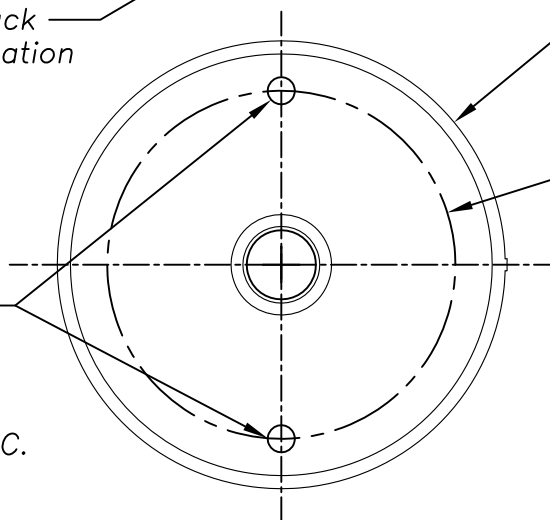


"N" Jack Termination

ø3.77
(9.57cm)

ø2.75 B.C.
(6.98cm) (REF)

1/4-20 Tapped Mounting Holes
3/8" Max Depth
2 Places, 180°
Apart on ø2.75 B.C.



Antenna Specifications:

Frequency: _____ 420 to 6000 MHz
 Gain: _____ "See Peak Gain Chart"
 VSWR: _____ 2:1 or Less
 Radome Material: _____ UV Stabilized Polycarbonate
 Color: Desert Sand
 Nominal Impedance: _____ 50 OHM Nominal
 Maximum Power: _____ 300 Watts
 Connector: _____ "N" Jack
 Temperature: _____ -40°C to +80°C
 Water Ingress _____ TBD
 Shock and Vibration _____ TBD

Peak Gain Chart

Frequency (MHz)	Peak Gain
420-698	5 dBi
698-1850	3 dBi
1850-2400	5 dBi
2400-3700	6 dBi
3700-4900	7 dBi
4900-6000	8 dBi

MobileMark
antenna solutions

US OFFICE & HEADQUARTERS: 1140 W. THORNDALE AVE. ITASCA, IL 60143
 TEL: (847) 671-6690 * FAX (847) 250-5120

UK OFFICE: 8 MIRAS BUS PARK, KEYS PARK ROAD. HEDNESFORD WS12 2FS, UK.
 UK TEL: (+44) 1543-459555 FAX (+44) 1543-459545

VISIT OUR WEBSITE AT WWW.MOBILEMARK.COM