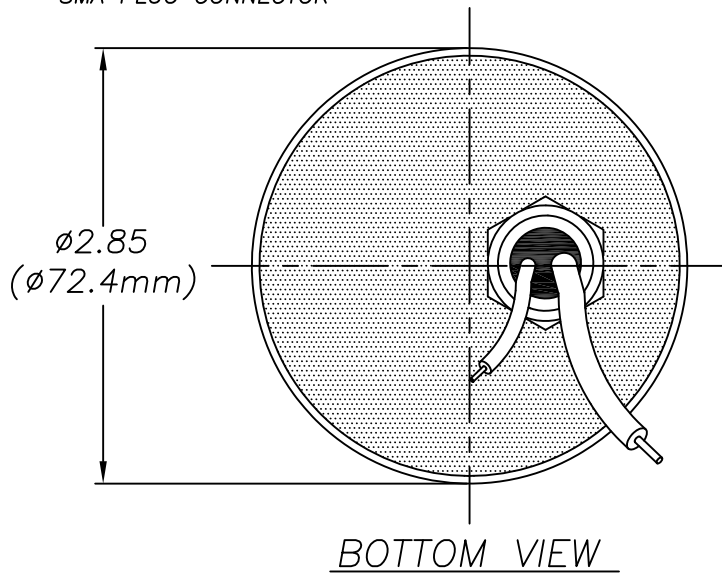
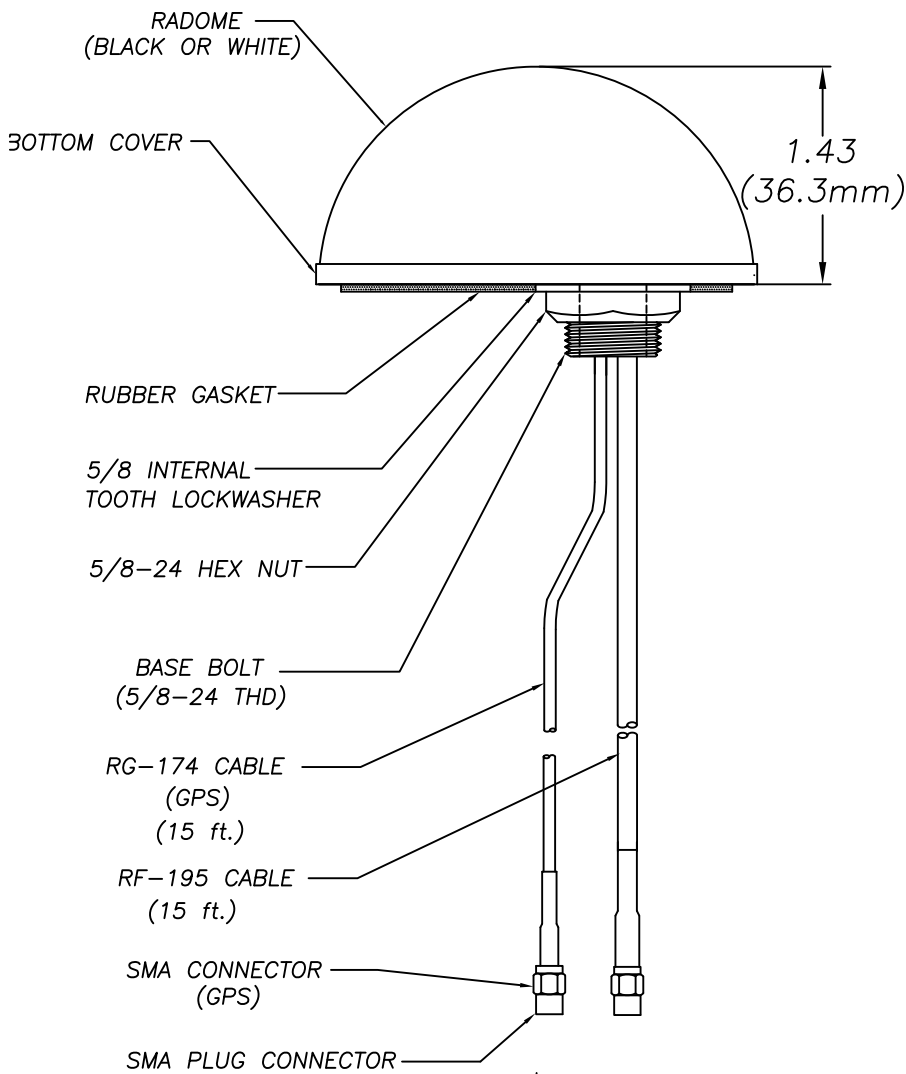


# DM2-2100/1575

## Low Profile "Dome" Antenna 1900-2170 MHz with GPS



### Antenna Specifications:

Frequencies:	1900-2170 MHz 1575 ±2 MHz (GPS Band)
Gain:	2 dBi
GPS Gain:	26 dB active Amplifier 5 dBi Antenna
Radome Material:	Black or White ASA Plastic
Nominal Impedance:	50 OHM
Maximum Power:	10 Watts
Connector:	SMA Plug ("See Note") SMA Plug (GPS)
VSWR:	2:1
Mount:	3/4" (19mm) threads for up to 3/8" (9.6mm) thick metal
Cable:	15 ft.(457.2cm) RF-195 15 ft. (457.2) RG-174 (GPS)
Temperature:	-40C to +85C

#### Note:

Other connector configurations supplied

## Mobile Mark Communication Antennas

US OFFICE & HEADQUARTERS: 3900-B RIVER ROAD, SCHILLER PARK, IL 60176  
PHONE: (847) 671-6690 \* FAX (847) 671-6715

UK OFFICE: 106 ANGLESEY BUSINESS PARK, HEDNESFORD, STAFFS.  
WS12 1NR UK TE: (+44) 1543-878434 FAX (+44) 1543-871714

VISIT OUR WEBSITE AT [WWW.MOBILEMARK.COM](http://WWW.MOBILEMARK.COM)

6/18/09