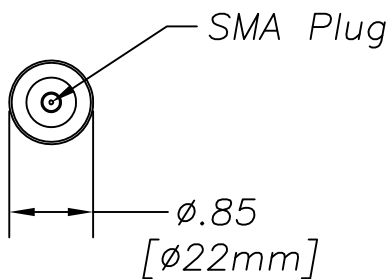
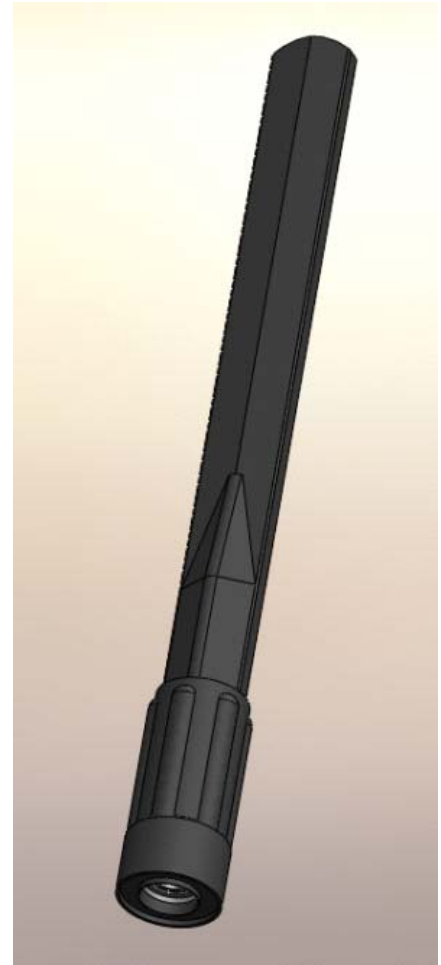
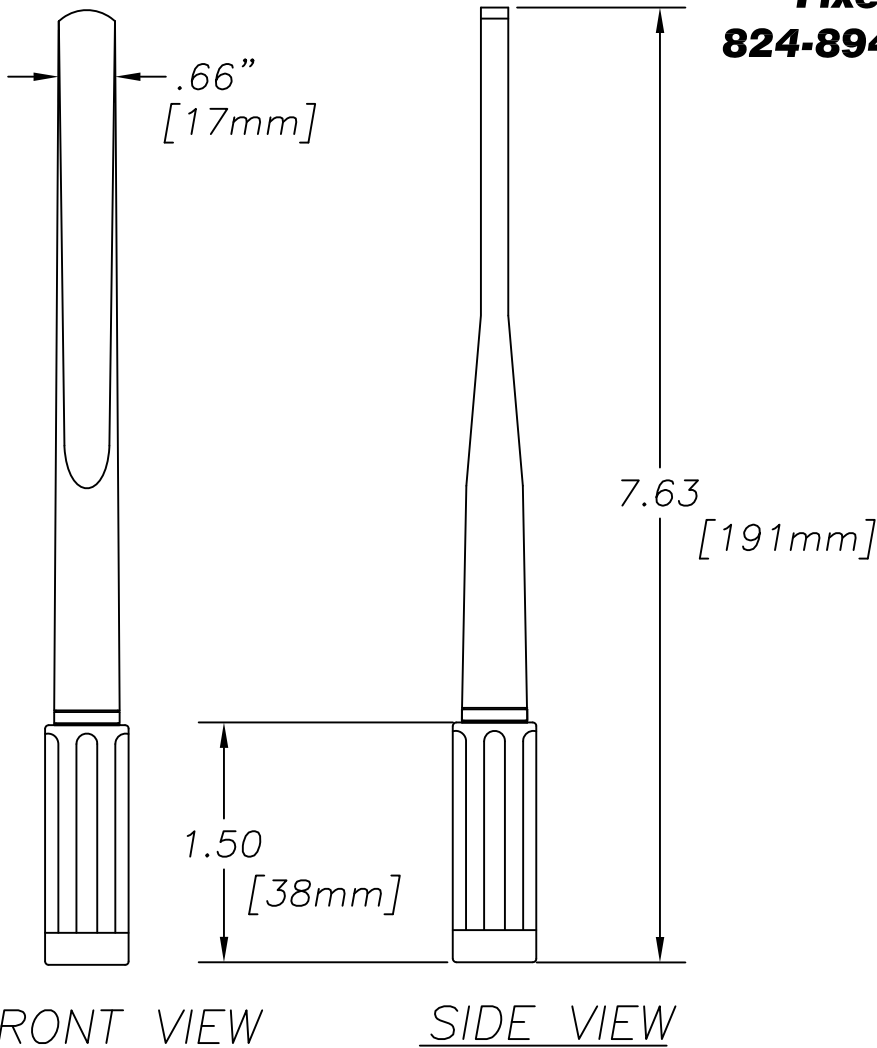


PSN3-900/1900S

**Dual Band Rubber Duck Antenna
Fixed Straight, SMA Plug
824-894 MHz & 1850-1990 MHz**



Metric Dimensions in Brackets [mm]
Specifications subject to change without notice

Antenna Specifications:

Electrical Properties:

Frequency Range: — 824–894 MHz
— 1850–1990 MHz
Impedance: — 50 Ohm nominal
VSWR: — 2:1 Max
Gain: — 3 dBi peak
Polarization: — Vertical
Max. Power: — 5 Watts

Mechanical Properties:

Connector: — SMA Plug
Material:
Whip & Base: — Polyurethane(Black)
Dimensions: — 7.63 [191] x .66 [17]
— $\phi.85$ [$\phi 22\text{mm}$] at Base

Environmental Properties:

Operating Temp: — -40°C to $+80^{\circ}\text{C}$
Storage Temp: — -40°C to $+80^{\circ}\text{C}$
Shock & Vibration: — EN 61373, IEEE 1478,
— MIL-810G, TIA-329.2-C
Humidity: — 93% & 30°C
— IEC68-2-56Cb

Water Ingress: — IP67 11/27/12

Mobile Mark Communication Antennas

US OFFICE & HEADQUARTERS: 3900-B RIVER ROAD, SCHILLER PARK, IL 60176
TEL: (847) 671-6690 * FAX (847) 671-6715

UK OFFICE: 106 ANGLESEY BUSINESS PARK, HEDNESFORD, STAFFS.
WS12 1NR UK TEL: (+44) 1543-878434 FAX (+44) 1543-871714

VISIT OUR WEBSITE AT WWW.MOBILEMARK.COM

