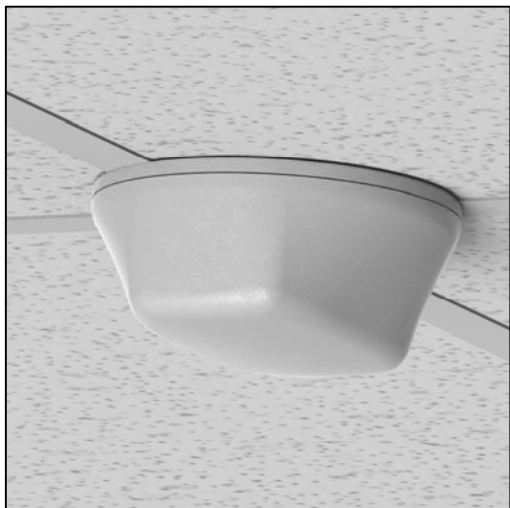


CLTM301-9Y9Y-WHT-12

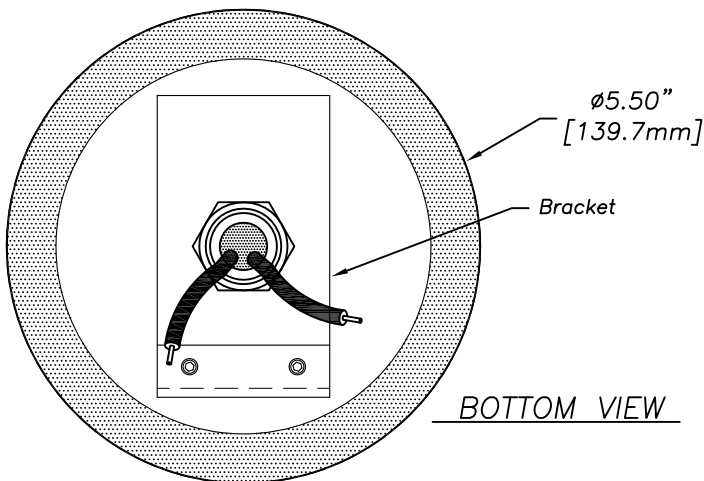
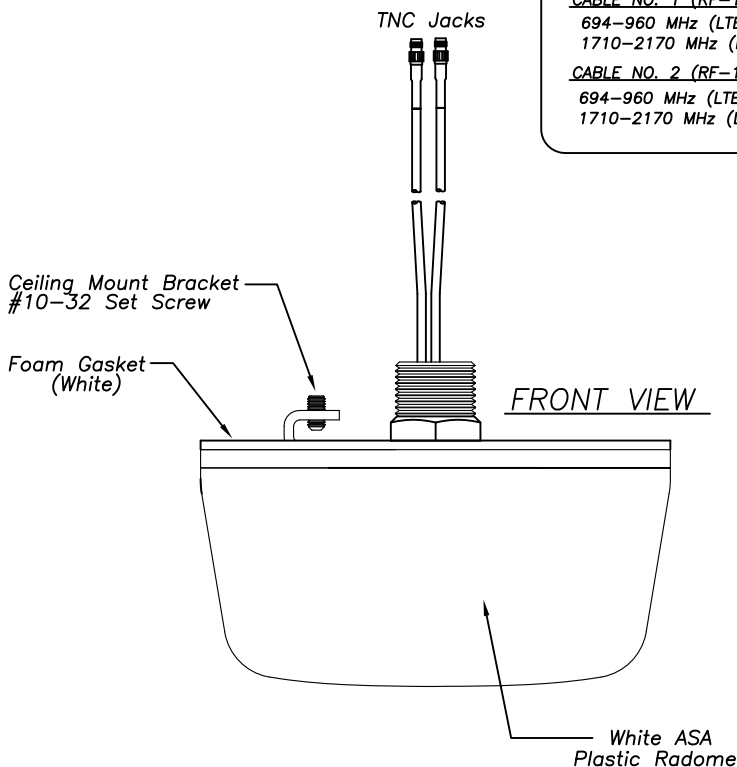
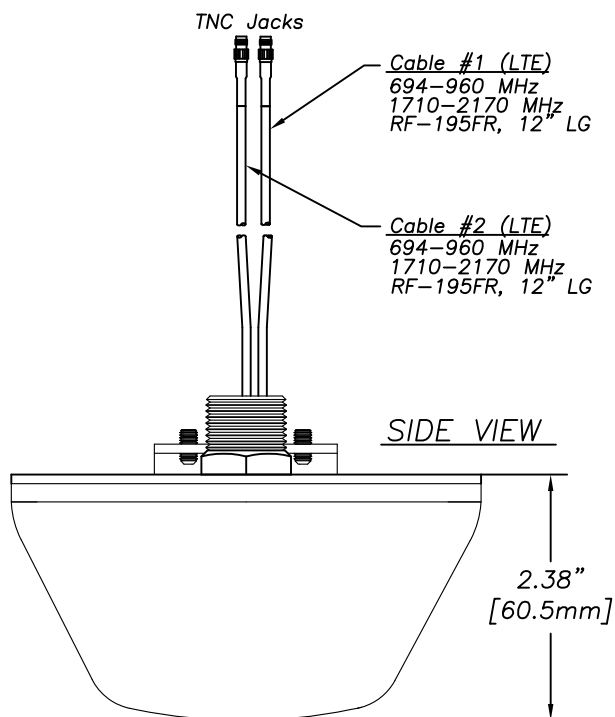
Multi-band Diversity/Mimo Antenna

Dual 694-960 MHz, 1710-2170 MHz (LTE)



Frequency and Cable Table

CABLE NO. 1 (RF-195FR CABLE)
694-960 MHz (LTE)
1710-2170 MHz (LTE)
CABLE NO. 2 (RF-195FR CABLE)
694-960 MHz (LTE)
1710-2170 MHz (LTE)



Antenna Specifications

****Gain:** ————— 694-960 MHz 3dBi Peak
————— 1710-2170 MHz 4dBi Peak

****VSWR:** ————— < 2:1 VSWR over range
(with 1 ft. RF-195 cable)

Maximum Power: ————— 20 Watts

Connectors/Interface: — TNC Jacks

Case: ————— 5.50" Dia. x 2.38" High

Radome Material: ————— ASA (UL 94, IEC60707)

Cable — cable 1 — RF-195FR, 12" (694-960 MHz/1710-2170 MHz)
———— cable 2 — RF-195FR, 12" (694-960 MHz/1710-2170 MHz)

Impedance: ————— 50 OHM Nominal

Mounting: ————— Ceiling Mount Bracket attaches
to drop ceiling grid

Operating Temperature: ————— -40° to +80° C

6/18/14

**** Gain and VSWR measured with 1 ft cable on 1 ft Ground Plane**

MobileMark

antenna solutions

US OFFICE & HEADQUARTERS: 1140 W THORNDALE AVE, ITASCA, IL 60143
TEL: (847) 671-6690 * FAX (847) 671-6715

UK OFFICE: 8 MIRAS BUS PARK, KEYS PARK ROAD, HEDNESFORD WS12 2FS, UK
UK TEL: (+44) 1543-459555 FAX (+44) 1543-459545

VISIT OUR WEBSITE AT WWW.MOBILEMARK.COM

